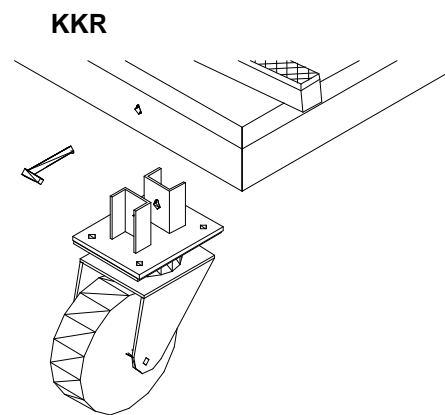
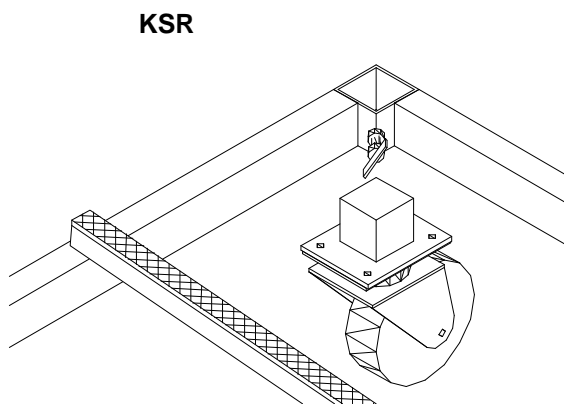


Putting *-in wheels* **K**

Wheel diameter	160 - 200 mm
Wheel type	- fixed ... P - slewing ... R
Way of wheel locking	- by screw KSP and KSR - by security key KKP a KKR



Ing. Milan Dohnal
Vývoz 5423
760 01 Zlín
Česká republika

Telefon: + 420 602566704
+ 420 603540331

e-mail: info@forset.cz